

# Machined Mold Clamps

## FEATURES:

Our complete line of mold clamps are available in an extensive range of sizes. Clamps are available in open-toe and closed-toe styles, as well as heavy duty and extra heavy duty versions.

- Quick and Easy Adjustment Reduces Setup Time
- Clamps Made from Premium Quality Steel, Hardened for Extended Life, and Coated with Black Penetrate Finish to Prevent Rust
- Unique Swivel-based Adjusting Screw Provides Maximum Flexibility and Accuracy

Available as individual components or complete clamp assemblies.

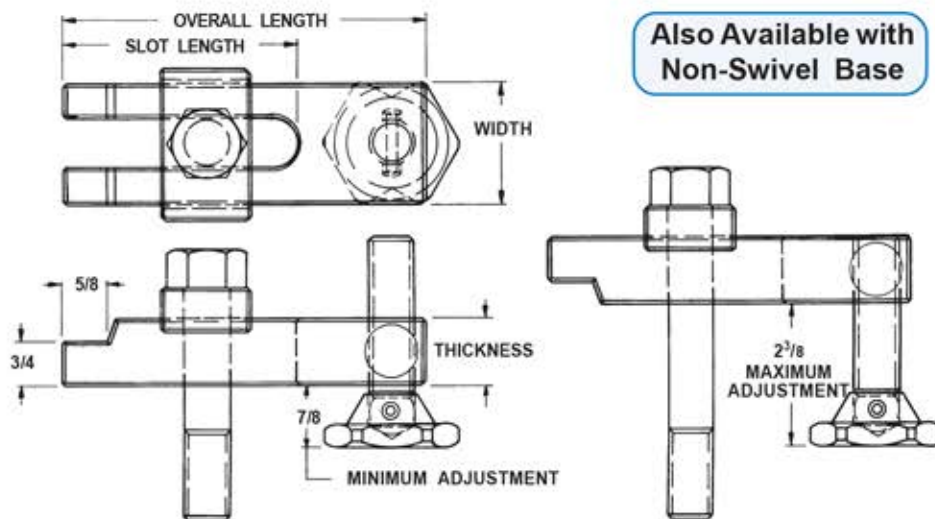
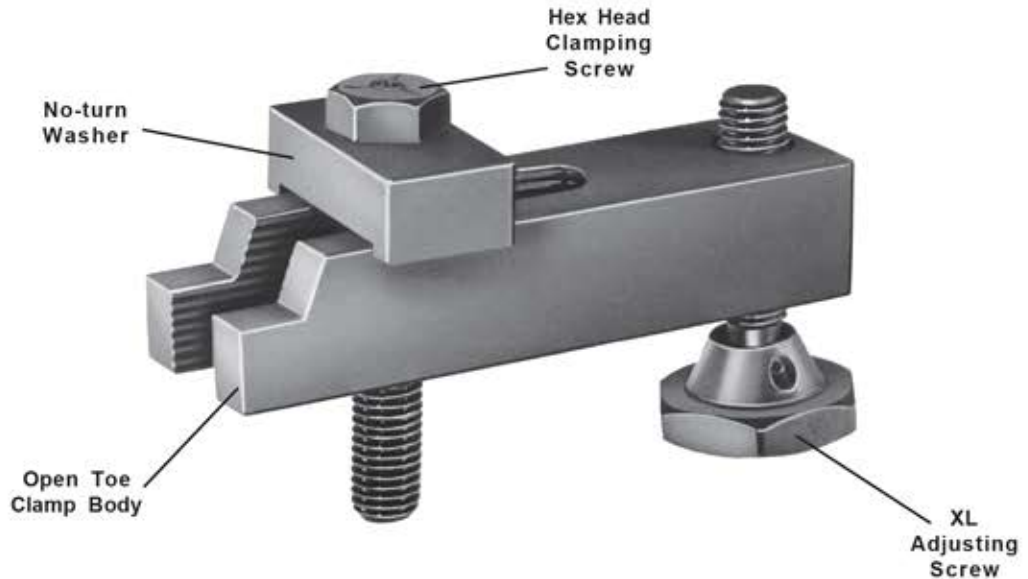


***BUY A COMPLETE  
MOLD CLAMP ASSEMBLY  
OR INDIVIDUAL PARTS***



# Machined Mold Clamps...continued

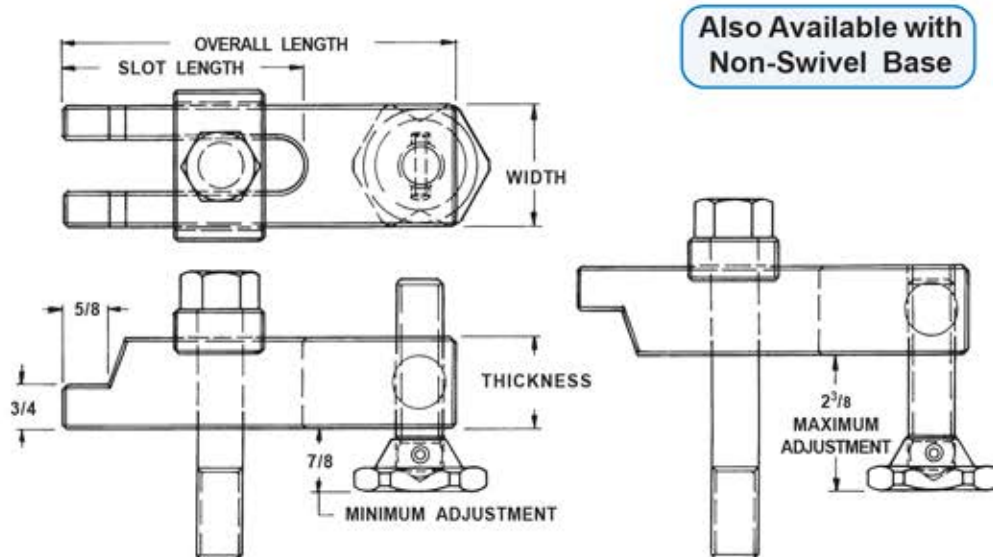
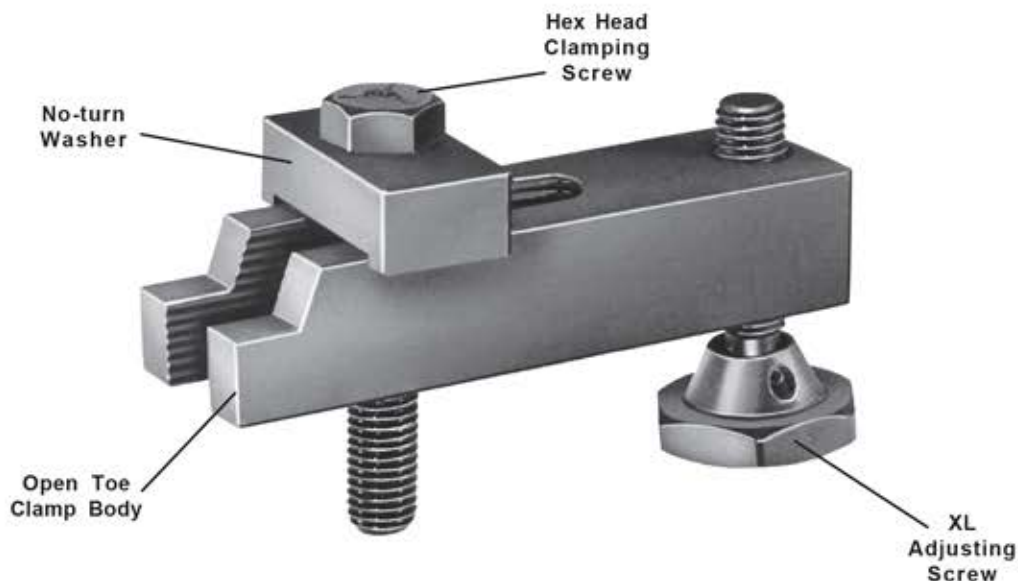
## Open Toe Style: Heavy Duty (with Swivel-Base Adjusting Screw)



For Clamping Screw Diameter	Clamping Screw Size Supplied With Assembly (Diameter x Length)	Mold Clamp Body Specifications				Complete Assembly Part Number	Price Each	Individual Clamp Bodies Part Number	Price Each
		Thickness	Width	Slot Length	Overall Length				
5/8"	5/8"-11 x 3 1/2"	1"	1 1/4"	2 3/4"	4"	TAC-584-A	Call for Pricing 800-627-1033	HD-584	Call for Pricing 800-627-1033
				3 1/4"	5"	TAC-585-A		HD-585	
				3 3/4"	6"	TAC-586-A		HD-586	
				4 1/4"	7"	TAC-587-A		HD-587	
3/4"	3/4"-10 x 4"	1 1/8"	2"	3 3/8"	5"	TAC-755-A		HD-755	
				3 7/8"	6"	TAC-756-A		HD-756	
				4 3/8"	7"	TAC-757-A		HD-757	
				5 3/8"	8"	TAC-758-A		HD-758	
1"	1"-8 x 5"	1 1/2"	2 1/2"	6"	10"	TAC-110-A	HD-110		

# Machined Mold Clamps...continued

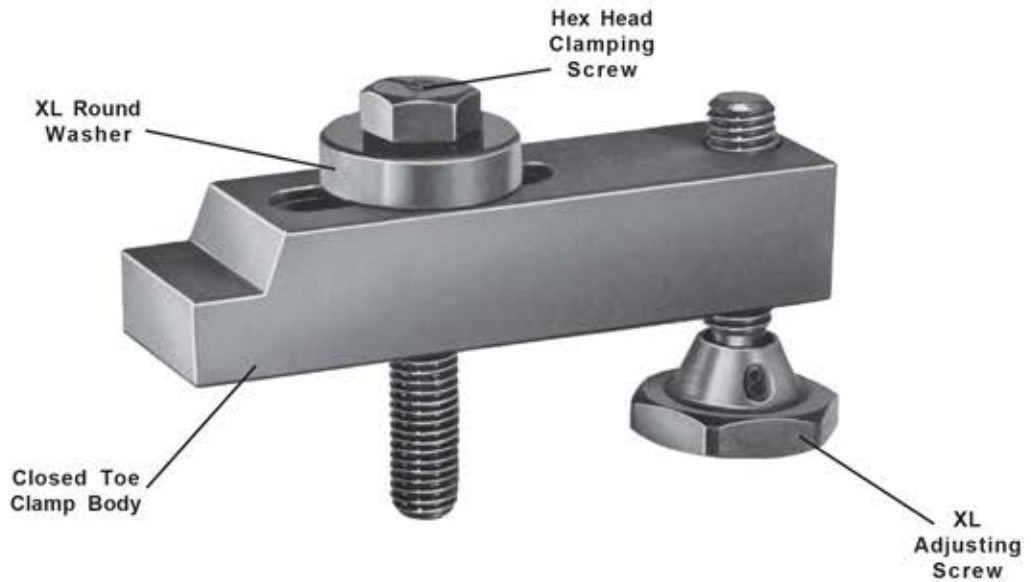
## Open Toe Style: Extra Heavy Duty (with Swivel-Base Adjusting Screw)



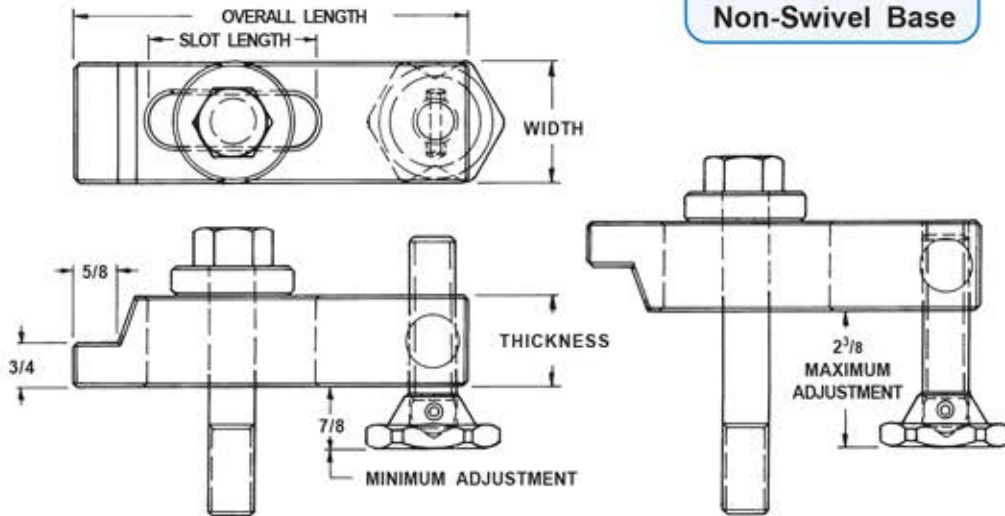
For Clamping Screw Diameter	Clamping Screw Size Supplied With Assembly (Diameter x Length)	Mold Clamp Body Specifications				Complete Assembly Part Number	Price Each	Individual Clamp Bodies Part Number	Price Each
		Thickness	Width	Slot Length	Overall Length				
5/8"	5/8"-11 x 3 3/4"	1 1/4"	1 3/4"	3 5/8"	6"	TAC-5860-A	Call for Pricing 800-627-1033	XHD-5860	Call for Pricing 800-627-1033
				4 5/8"	7 1/2"	TAC-5875-A		XHD-5875	
3/4"	3/4"-10 x 4 1/2"	1 1/2"	2"	4"	6 1/2"	TAC-7565-A		XHD-7565	
				5"	8"	TAC-7580-A		XHD-7580	
				6"	9 1/2"	TAC-7595-A		XHD-7595	
1"	1"-8 x 5 1/2"	1 3/4"	2 1/2"	4 3/8"	8"	TAC-1008-A		XHD-1008	
				6 3/8"	11"	TAC-1011-A		XHD-1011	

# Machined Mold Clamps...continued

## Closed Toe Style: Extra Heavy Duty (with Swivel-Base Adjusting Screw)



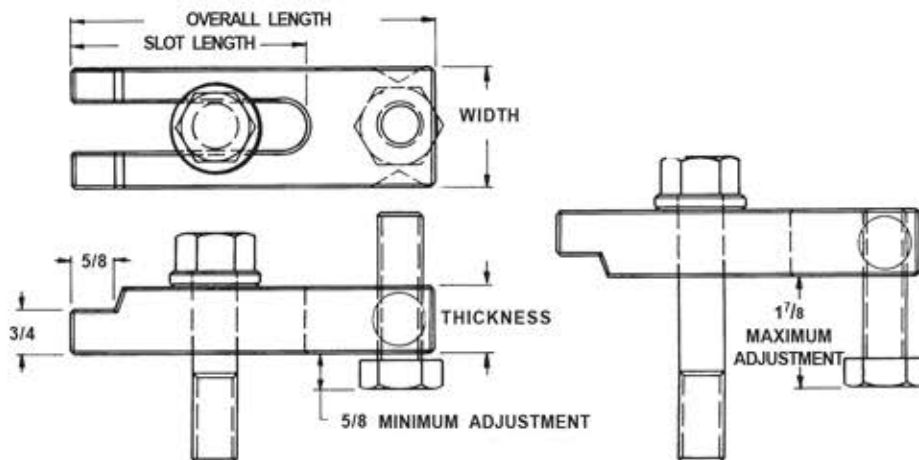
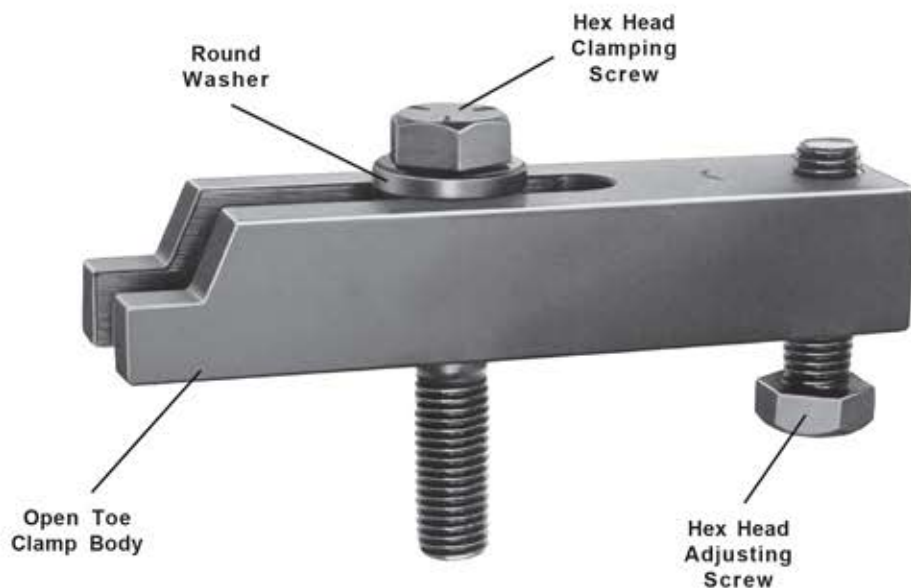
Also Available with Non-Swivel Base



For Clamping Screw Diameter	Clamping Screw Size Supplied With Assembly (Diameter x Length)	Mold Clamp Body Specifications				Complete Assembly Part Number	Price Each	Individual Clamp Bodies Part Number	Price Each
		Thickness	Width	Slot Length	Overall Length				
5/8"	5/8"-11 x 3 3/4"	1 1/4"	1 3/4"	2 5/8"	6"	TAC-5861-A	Call for Pricing 800-627-1033	XHD-5861	Call for Pricing 800-627-1033
				3 5/8"	7 1/2"	TAC-5876-A		XHD-5876	
3/4"	3/4"-10 x 4 1/2"	1 1/2"	2"	2 3/4"	6 1/2"	TAC-7566-A		XHD-7566	
				3 3/4"	8"	TAC-7581-A		XHD-7581	
				4 3/4"	9 1/2"	TAC-7596-A		XHD-7596	
1"	1"-8 x 5 1/2"	1 3/4"	2 1/2"	3"	8"	TAC-1009-A		XHD-1009	
				5"	11"	TAC-1012-A		XHD-1012	
1 1/4"	1 1/4"-7 x 6"	1 3/4"	3"	5 1/2"	13"	TAC-1250-A		XHD-1250	
1 1/2"	1 1/2"-6 x 6"	1 3/4"	3 1/2"	5 3/4"	13 1/2"	TAC-1500-A		XHD-1500	

# Machined Mold Clamps...continued

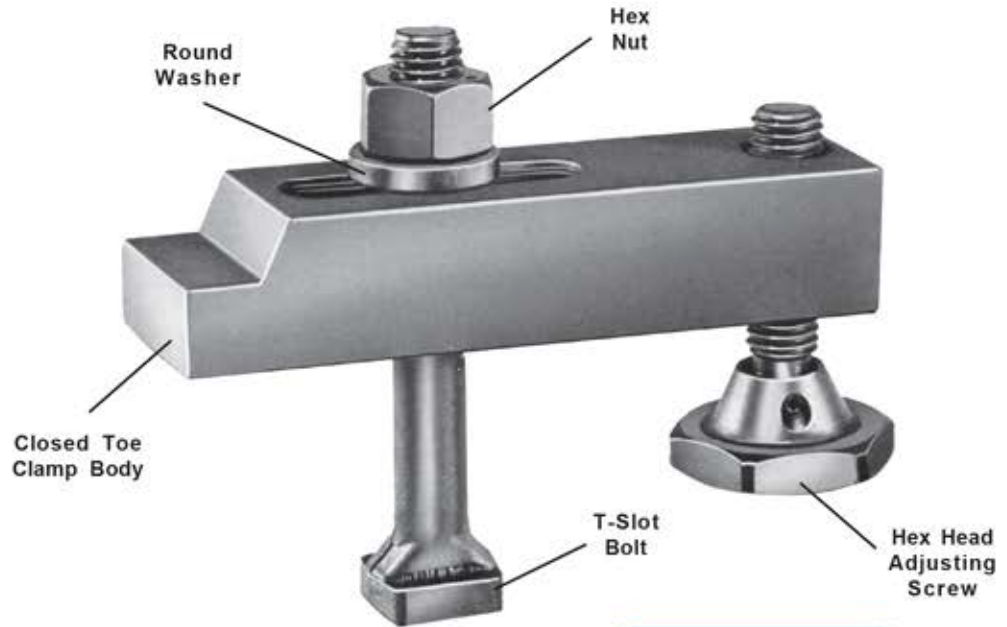
## Open Toe Style: Heavy Duty (with Non-Swivel Base)



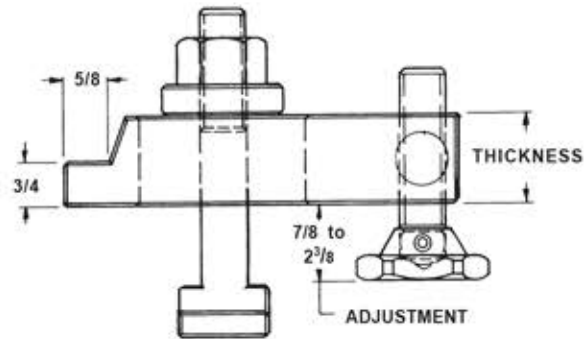
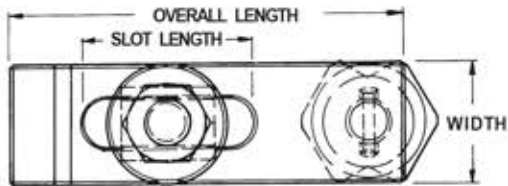
For Clamping Screw Diameter	Clamping Screw Size Supplied With Assembly (Diameter x Length)	Mold Clamp Body Specifications				Complete Assembly Part Number	Price Each	Individual Clamp Bodies Part Number	Price Each
		Thickness	Width	Slot Length	Overall Length				
5/8"	5/8"-11 x 3 1/4"	1"	1 3/4"	2 3/4"	4"	CFC-584-A	Call for Pricing 800-627-1033	HD-584	Call for Pricing 800-627-1033
				3 1/4"	5"	CFC-585-A		HD-585	
				3 3/4"	6"	CFC-586-A		HD-586	
				4 1/4"	7"	CFC-587-A		HD-587	
3/4"	3/4"-10 x 4"	1 1/8"	2"	3 3/8"	5"	CFC-755-A		HD-755	
				3 7/8"	6"	CFC-756-A		HD-756	
				4 3/8"	7"	CFC-757-A		HD-757	
				5 3/8"	8"	CFC-758-A		HD-758	
1"	1"-8 x 4 1/2"	1 1/2"	2 1/2"	6"	10"	CFC-110-A		HD-110	

# Machined Mold Clamps...continued

## Closed Toe Style - Extra Heavy Duty Designed For T-Slotted Machines (with Swivel-Base Adjusting Screw)



Also Available with  
Non-Swivel Base



T-Slot Bolt Supplied With Assembly (Diameter x Length)	Mold Clamp Body Specifications				Complete Assembly Part Number	Price Each	Individual Clamp Bodies Part Number	Price Each
	Thickness	Width	Slot Length	Overall Length				
5/8" x 4 1/2"	1 1/4"	1 3/4"	2 5/8"	6"	TBA-5861-A	Call for Pricing	XHD-5861	Call for Pricing
3/4" x 5"	1 1/2"	2"	2 3/4"	6 1/2"	TBA-7566-A		XHD-7566	
1" x 6"	1 3/4"	2 1/2"	3"	8"	TBA-1009-A		XHD-1009	

# Machined Mold Clamps - Replacement Parts

## Individual Mold Clamp Bodies



All mold clamp bodies are made from hardened, premium Quality Steel. For specifications and part numbers, refer to mold clamp assembly charts.

## Extra Large Adjusting Screw Assemblies



PART NO.	CLAMP SCREW DIAMETER	THREAD SIZE	SWIVEL BASE HEX SIZE	SWIVEL BASE HEIGHT	OVERALL HEIGHT	PRICE EACH
H-585	5/8"	5/8"-11	1 1/4"	7/8"	3"	Call for Pricing
H-755	3/4"	3/4"-10	2"	7/8"	3 1/2"	
H-1005	1"	1"-8	2 1/2"	1 5/16"	3 1/2"	
H-1505	1 1/4" and 1 1/2"	1 1/2"-6	3"	1 5/8"	5 5/8"	

## Hex Head Adjusting Screws



PART NO.	CLAMP SCREW DIAMETER	THREAD SIZE	HEAD THICKNESS	HEIGHT ABOVE HEAD	PRICE EACH
H-58	5/8"	5/8"-11	7/16"	2 1/2"	Call for Pricing
H-75	3/4"	3/4"-10	1/2"	2 1/2"	
H-100	1"	1"-8	5/8"	2 1/2"	

## High Strength, Grade 5, Hex Head Clamping Screws



PART NO.	LENGTH	THREAD SIZE	HEX SIZE	THICKNESS	PRICE EACH
S-1235	3 1/2"	1/2"-13	3/4"	5/16"	Call for Pricing 800-627-1033
S-5832	3 1/4"	5/8"-11	15/16"	25/64"	
S-5835	3 1/2"	5/8"-11	15/16"	25/64"	
S-5837	3 3/4"	5/8"-11	15/16"	25/64"	
S-7540	4"	3/4"-10	1 1/8"	15/32"	
S-7545	4 1/2"	3/4"-10	1 1/8"	15/32"	
S-1045	4 1/2"	1"-8	1 1/2"	39/64"	
S-1050	5"	1"-8	1 1/2"	39/64"	
S-1055	5 1/2"	1"-8	1 1/2"	39/64"	
S-1256	6"	1 1/4"-7	1 7/8"	3/4"	
S-1506	6"	1 1/2"-6	2 1/4"	7/8"	

Other Sizes Available Upon Request.

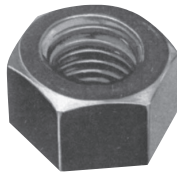
## High Strength, T-Slot Bolts



PART NO.	LENGTH	THREAD SIZE	PRICE EACH
TB-5845	4 1/2"	5/8"-11	Call for Pricing
TB-7550	5"	3/4"-10	
TB-1060	6"	1"-8	

# Machined Mold Clamps - Replacement Parts

## Heavy Duty Hex Nuts for T-Slot Bolts



PART NO.	THREAD SIZE	HEX SIZE	THICKNESS	PRICE EACH
N-58	5/8"-11	1 1/16"	39/64"	Call for Pricing
N-75	3/4"-10	1 1/4"	47/64"	
N-100	1"-8	1 5/8"	63/64"	

## Round Mold Washers



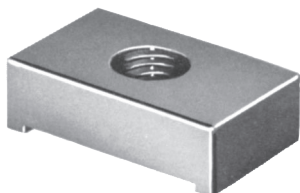
PART NO.	SCREW DIAMETER (I.D.)	DIAMETER (O.D.)	THICKNESS	PRICE EACH
RW-58	5/8"	1 1/4"	1/4"	Call for Pricing
RW-75	3/4"	1 1/2"	1/4"	
RW-100	1"	2"	5/16"	

## Extra Large Round Mold Washers



PART NO.	SCREW DIAMETER (I.D.)	DIAMETER (O.D.)	THICKNESS	PRICE EACH
RW-586	5/8"	1 3/4"	1/2"	Call for Pricing
RW-756	3/4"	2"	1/2"	
RW-1006	1"	2 1/2"	5/8"	
RW-1256	1 1/4"	3"	5/8"	
RW-1506	1 1/2"	3 1/2"	5/8"	

## Extra Large No-Twist Rectangular Washers



PART NO.	SCREW DIAMETER (I.D.)	LENGTH	THICKNESS ABOVE CLAMP	CLAMP WIDTH	PRICE EACH
SW-127	1/2"	2 1/4"	3/4"	1 1/4"	Call for Pricing
SW-587	5/8"	2 1/4"	3/4"	1 1/4"	
SW-757	3/4"	2 1/2"	3/4"	1 1/2"	
SW-1007	1"	3"	1"	2"	

### Open Toe Clamp Limited Guarantee

Though manufactured using superior craftsmanship and outstanding quality, open toe clamps cannot be returned if broken during use due to the nature of their design.